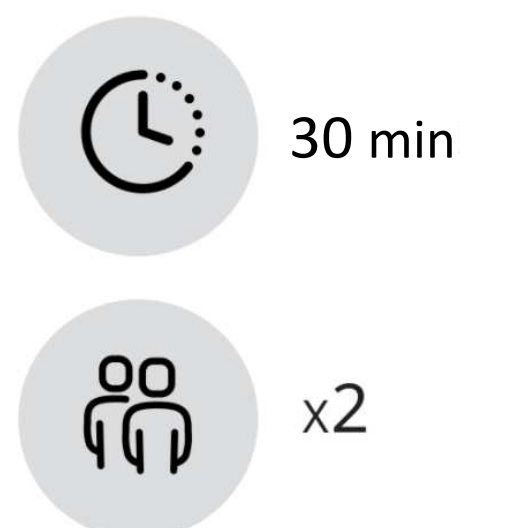
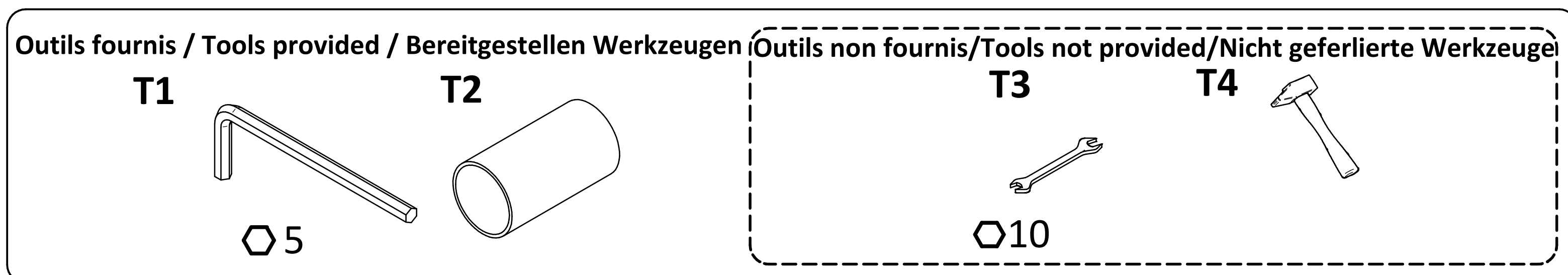
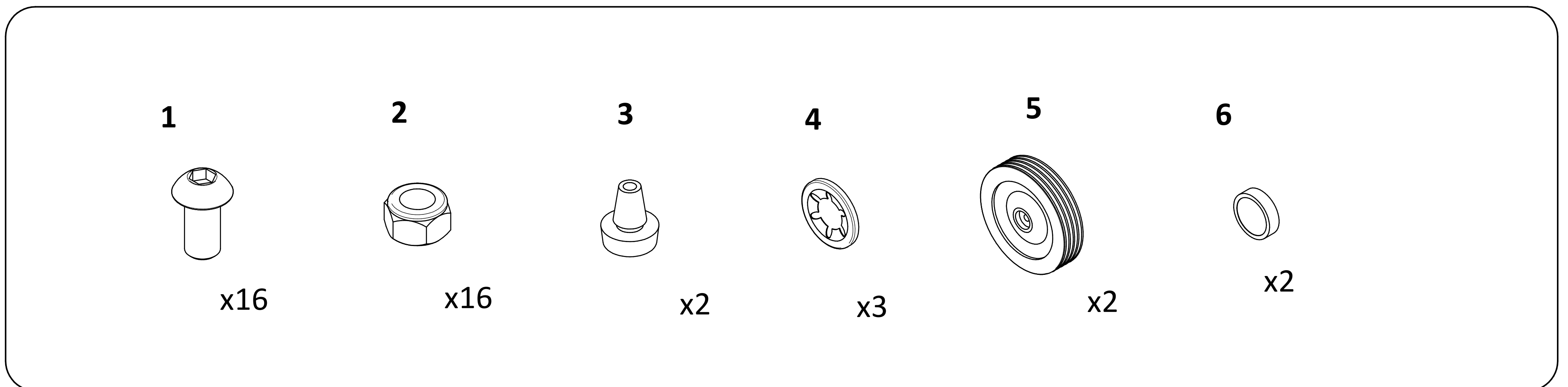
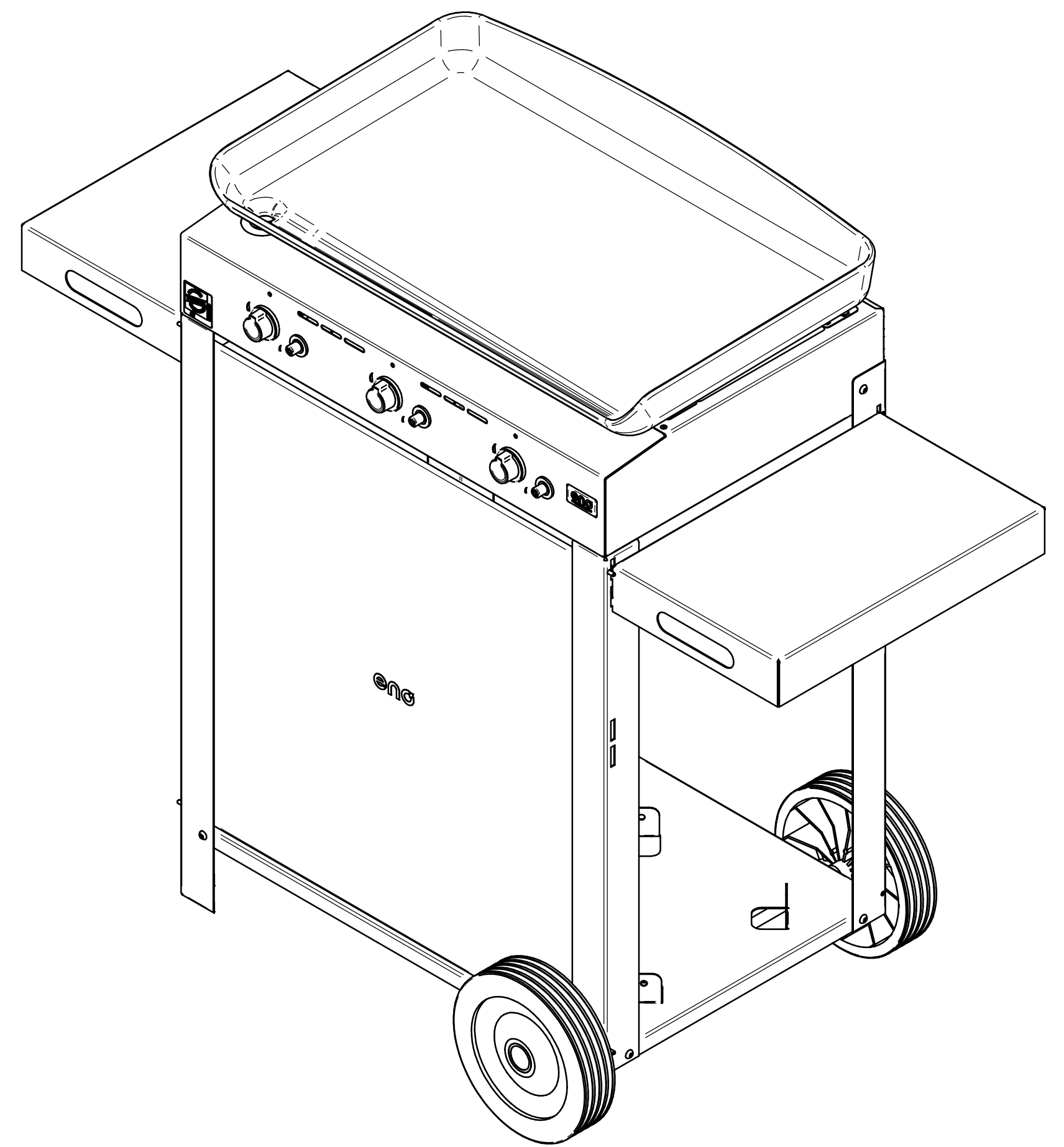
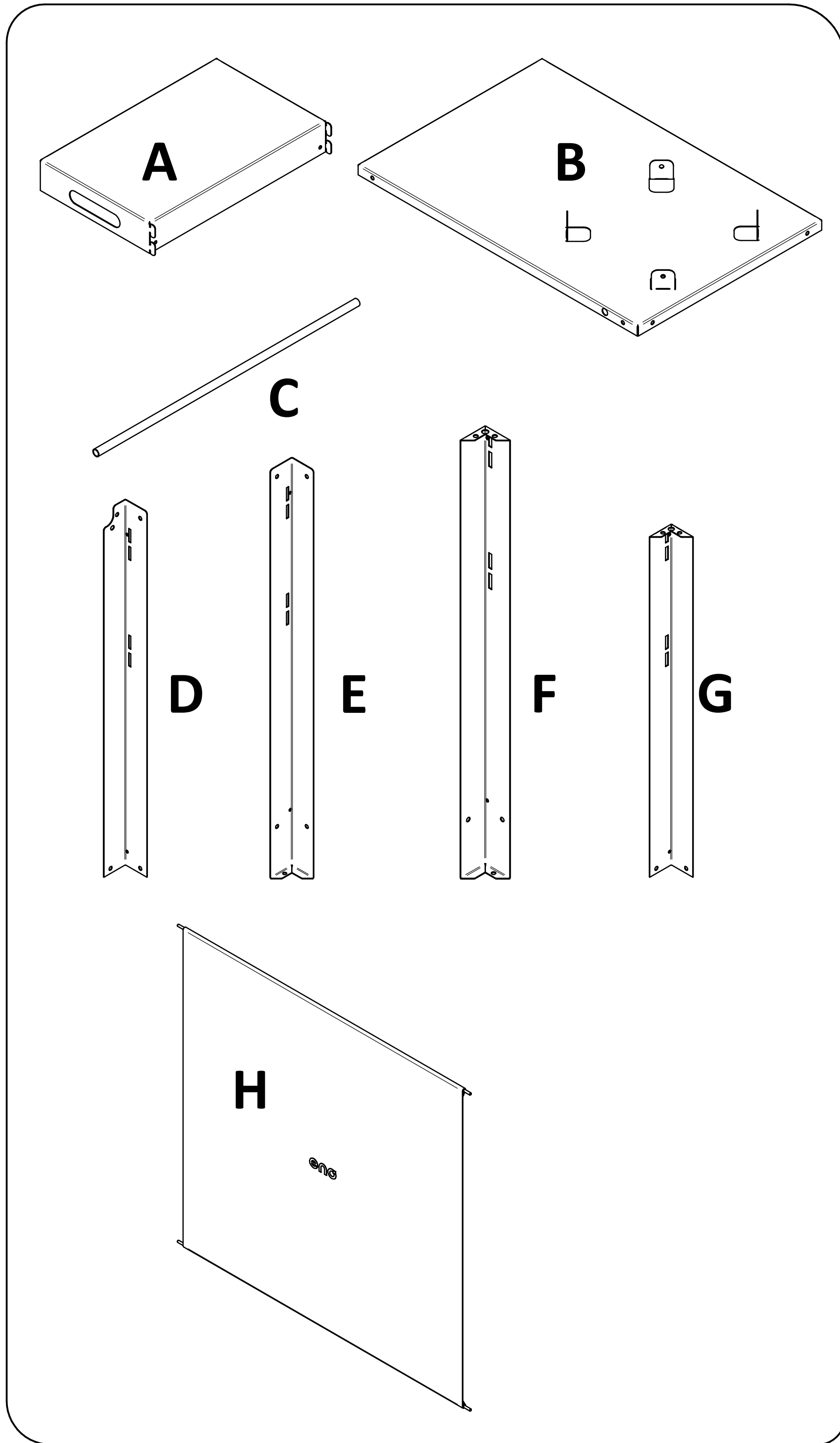
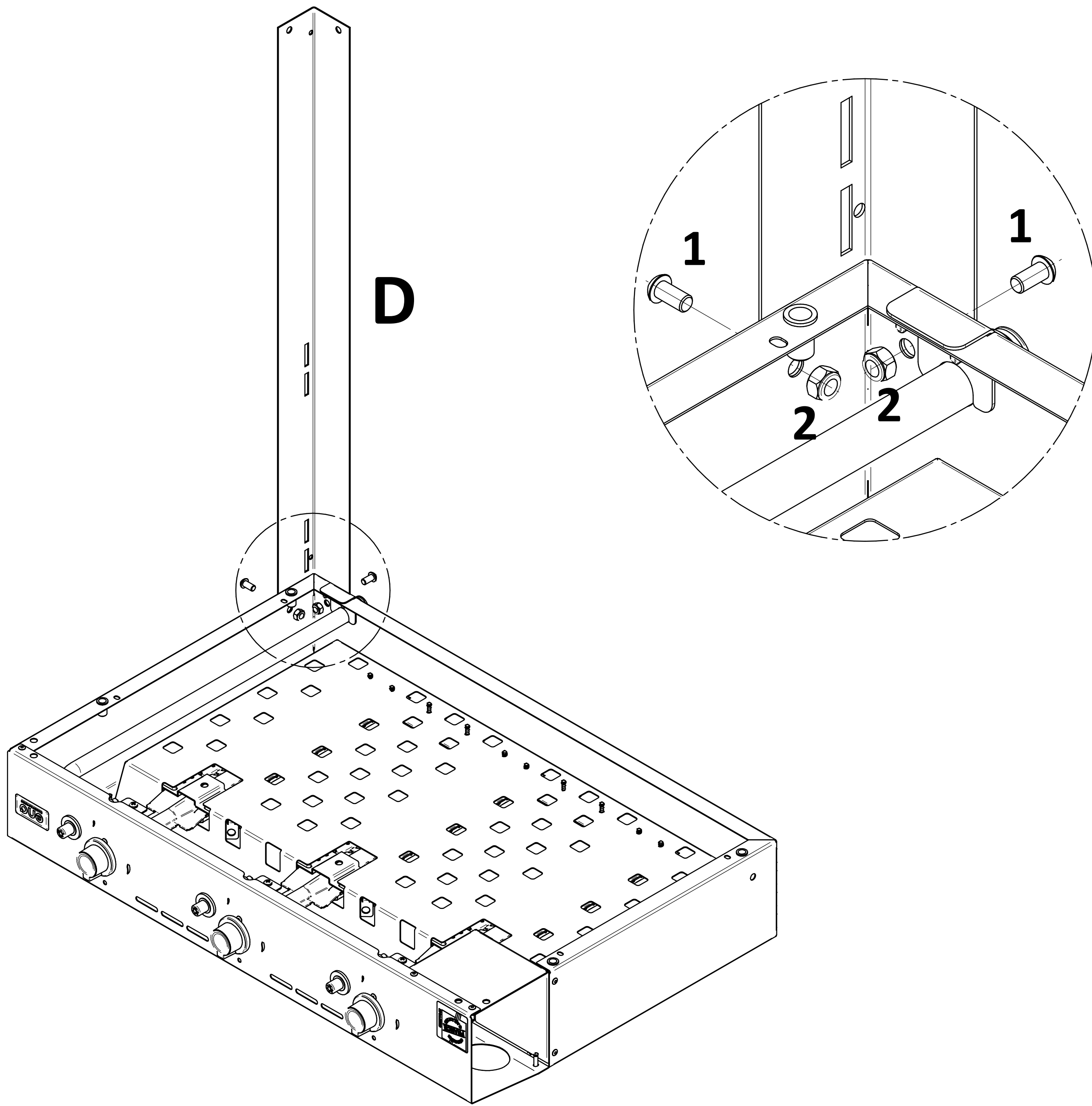


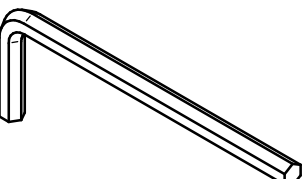
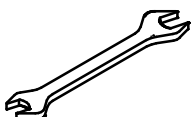
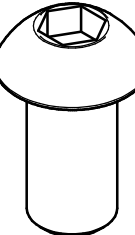
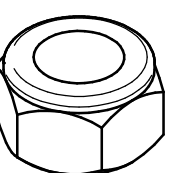
# Combo Initial

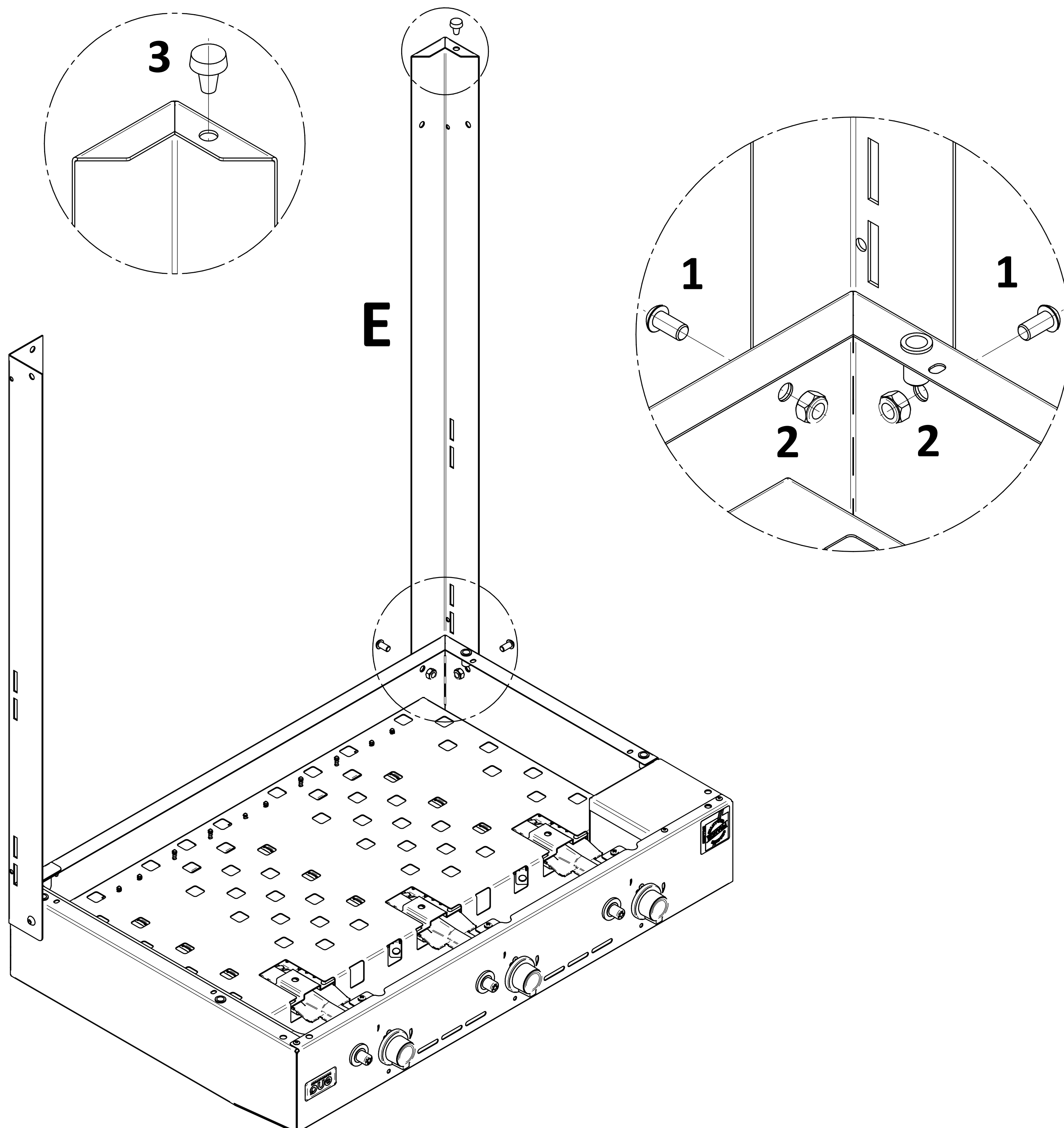


# NOTICE DE MONTAGE

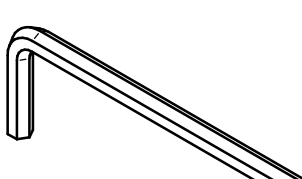

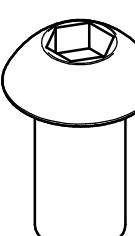
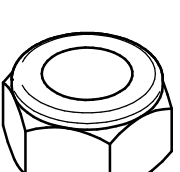
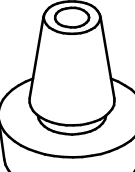


# 1

- T1 
- T3 
- 1  x2
- 2  x2

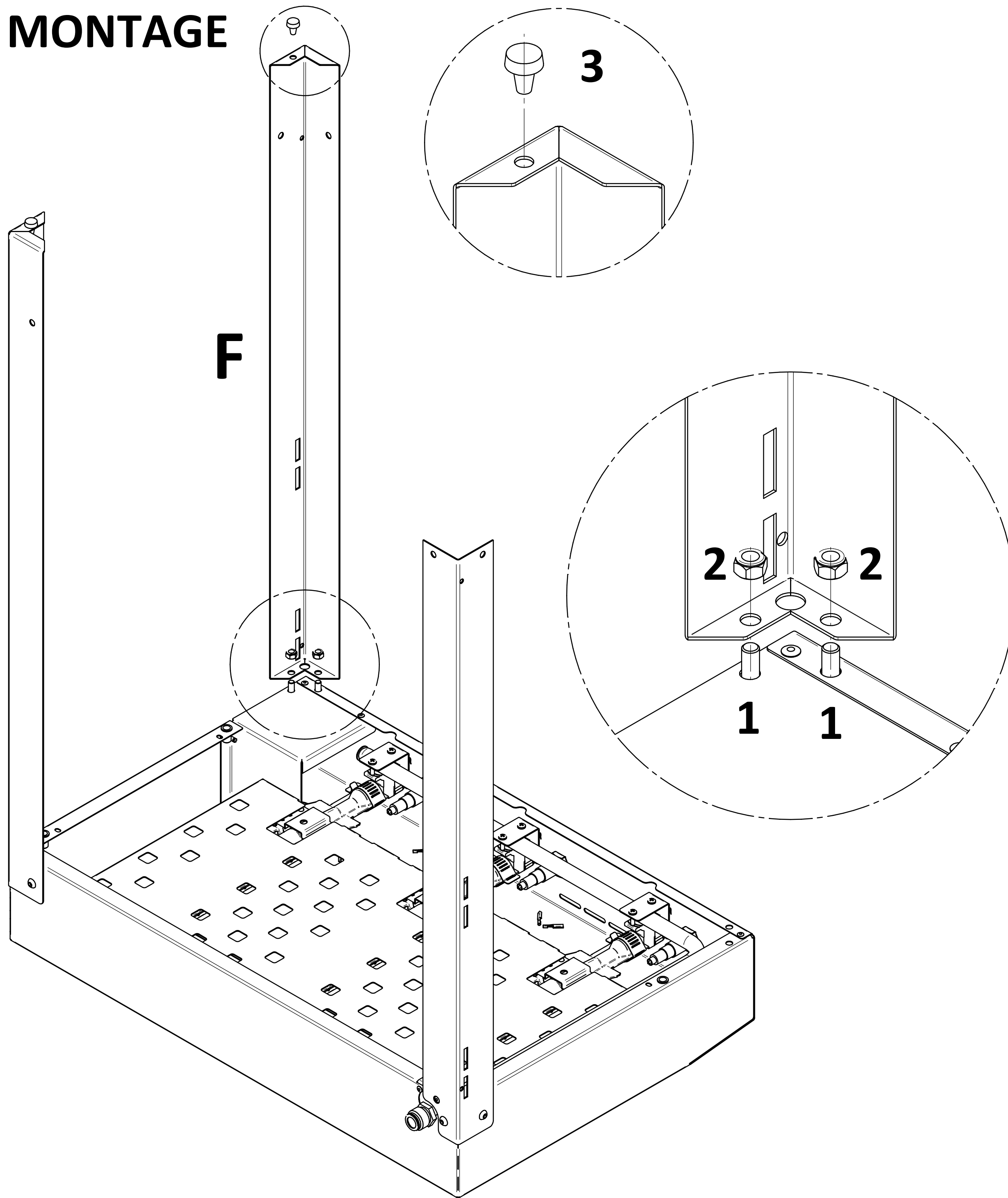


# 2

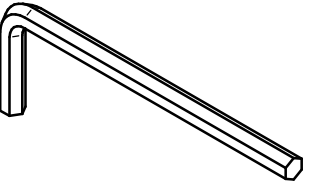
- T1 
- T3 
- 1  x2
- 2  x2
- 3  x1



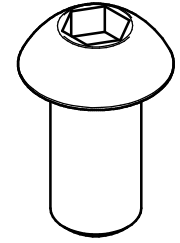
# NOTICE DE MONTAGE

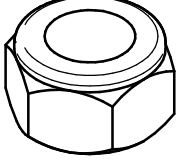


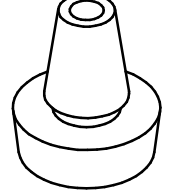
# 3

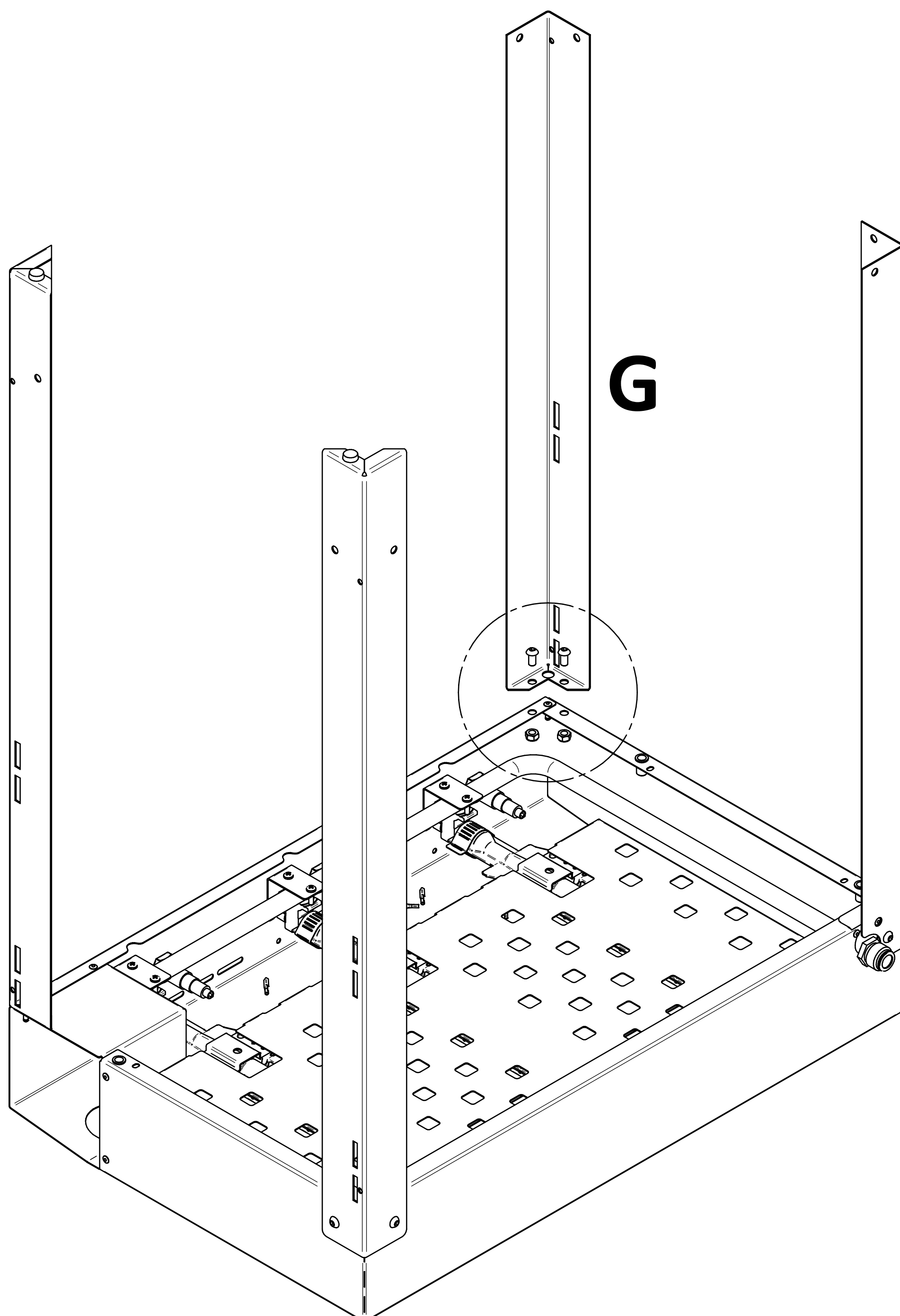
T1 

T3 

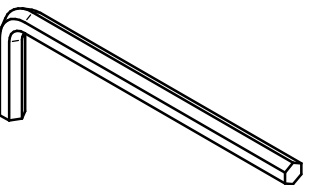
1  x2

2  x2

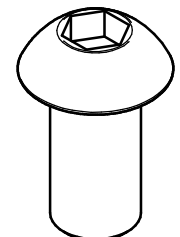
3  x1

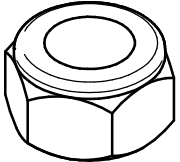


# 4

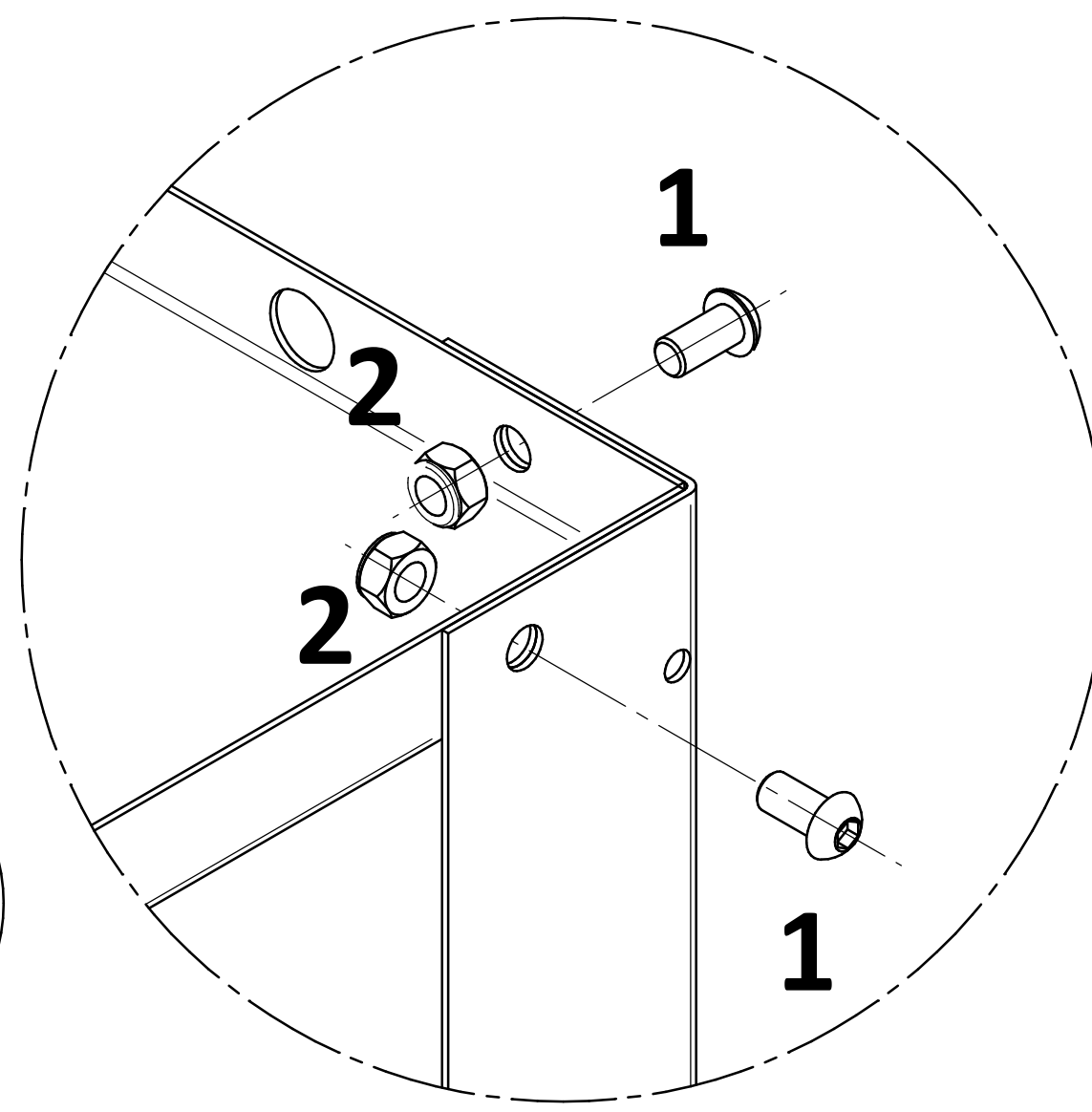
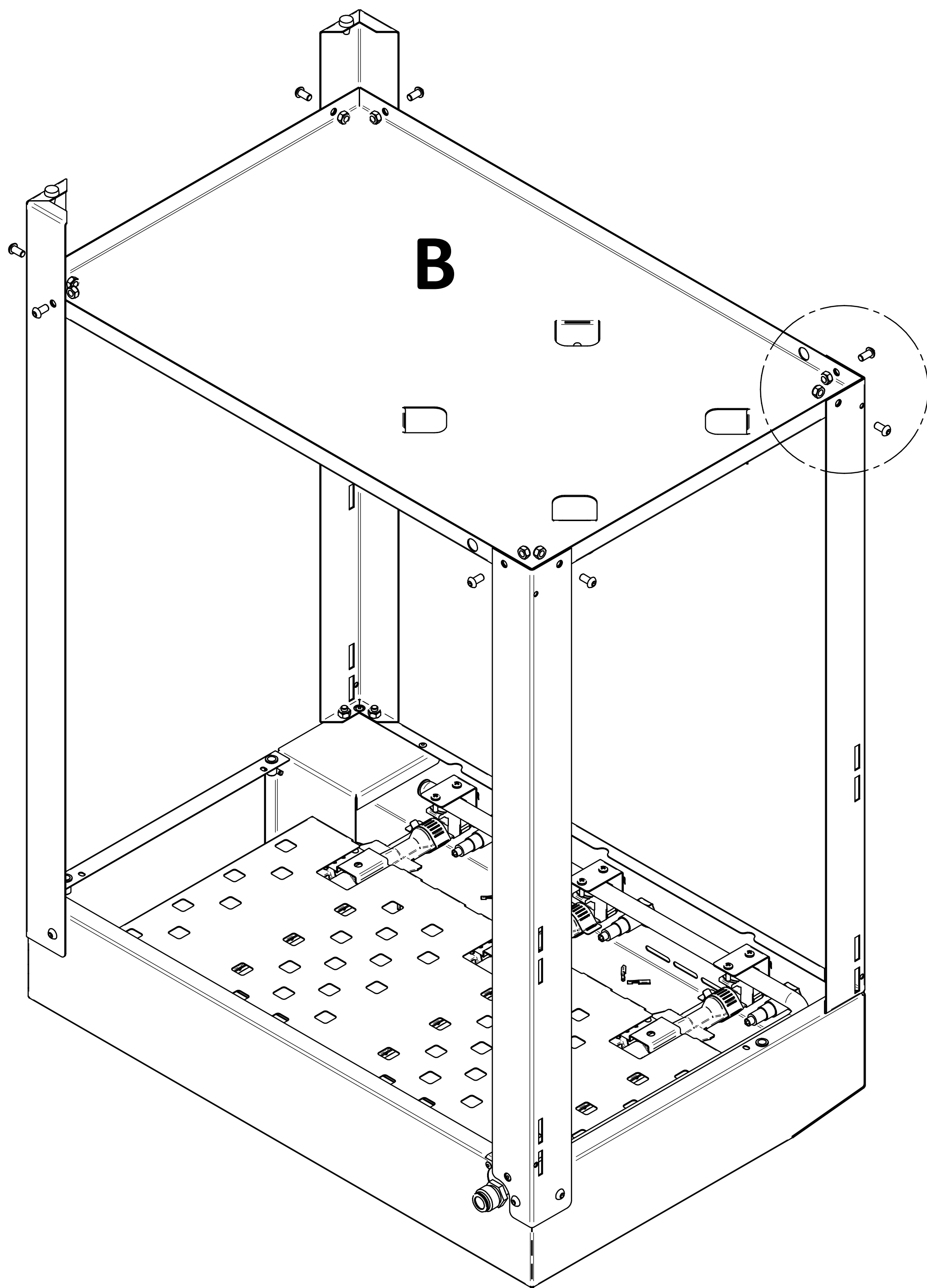
T1 

T3 

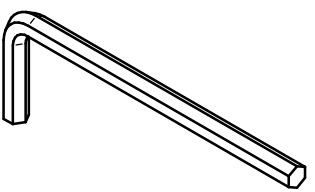
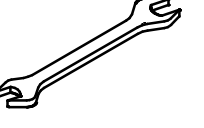
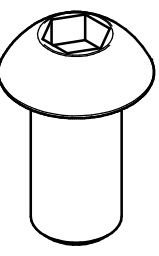
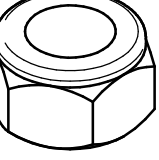
1  x2

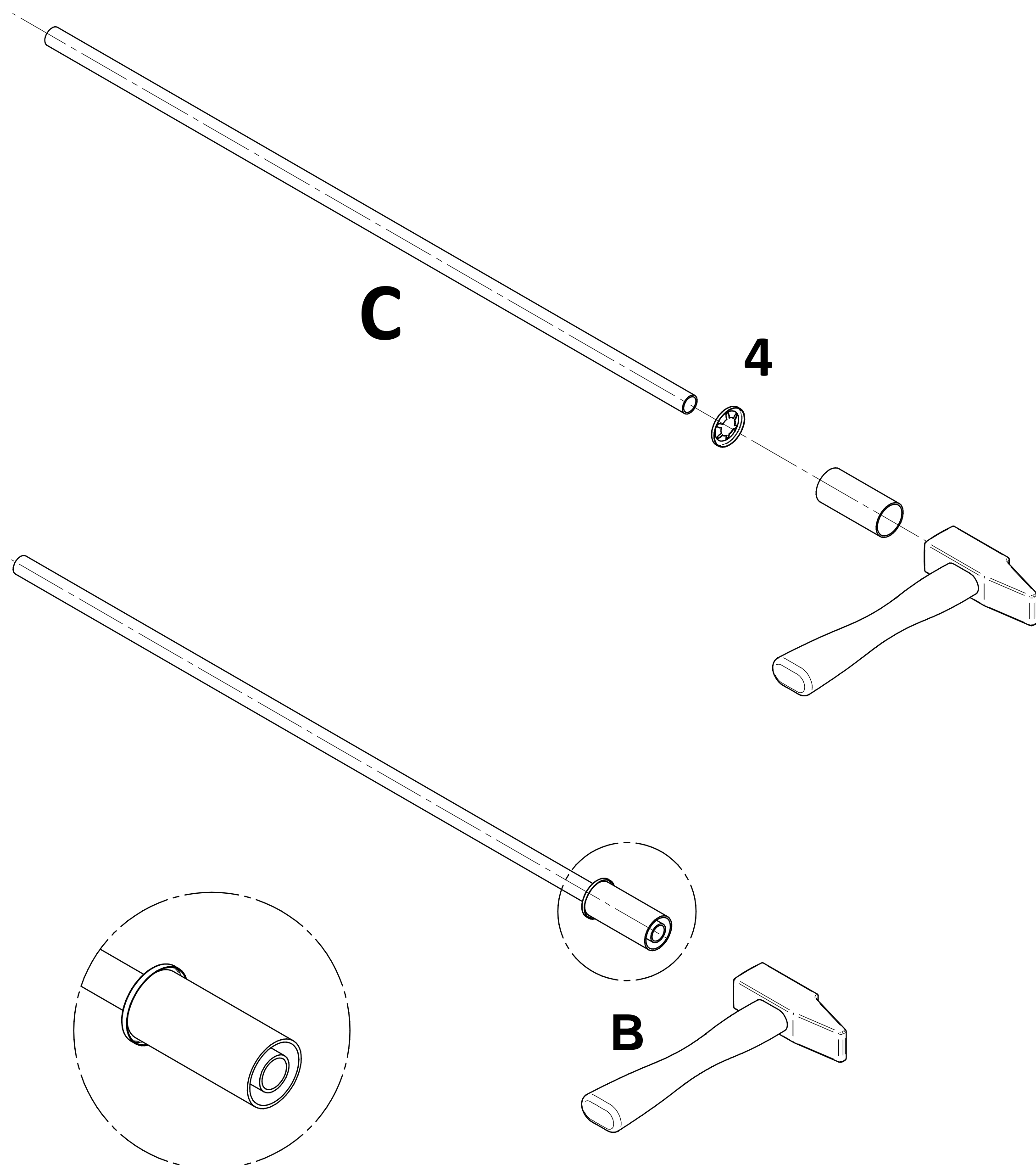
2  x2

# NOTICE DE MONTAGE

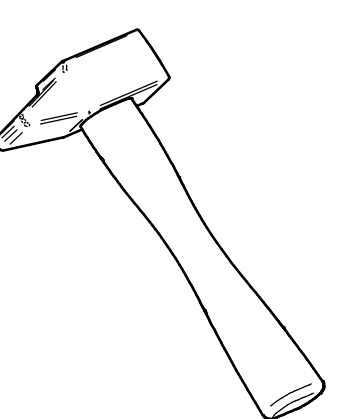
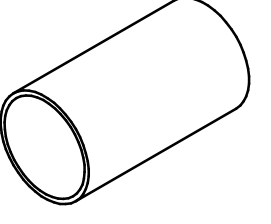



# 5

- T1 
- T3 
- 1  x8
- 2  x8

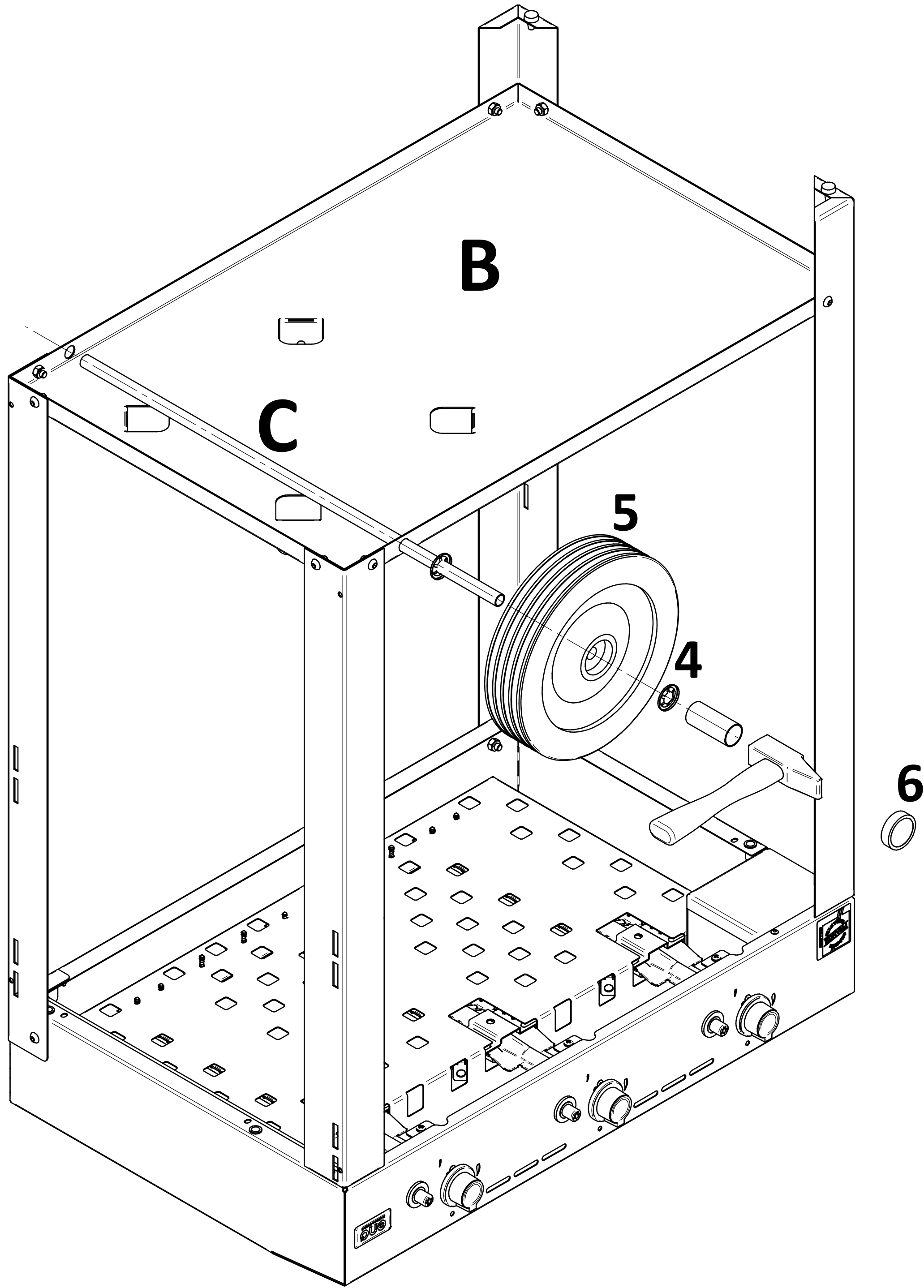


# 6

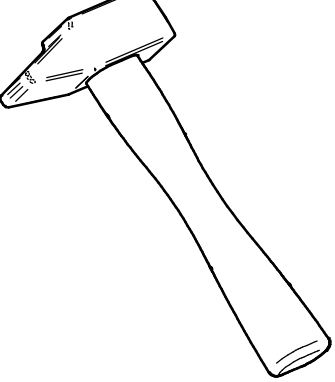
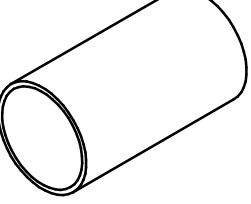

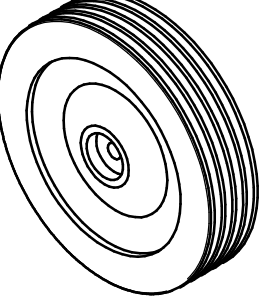

- T4 
- T2 
- 4  x1

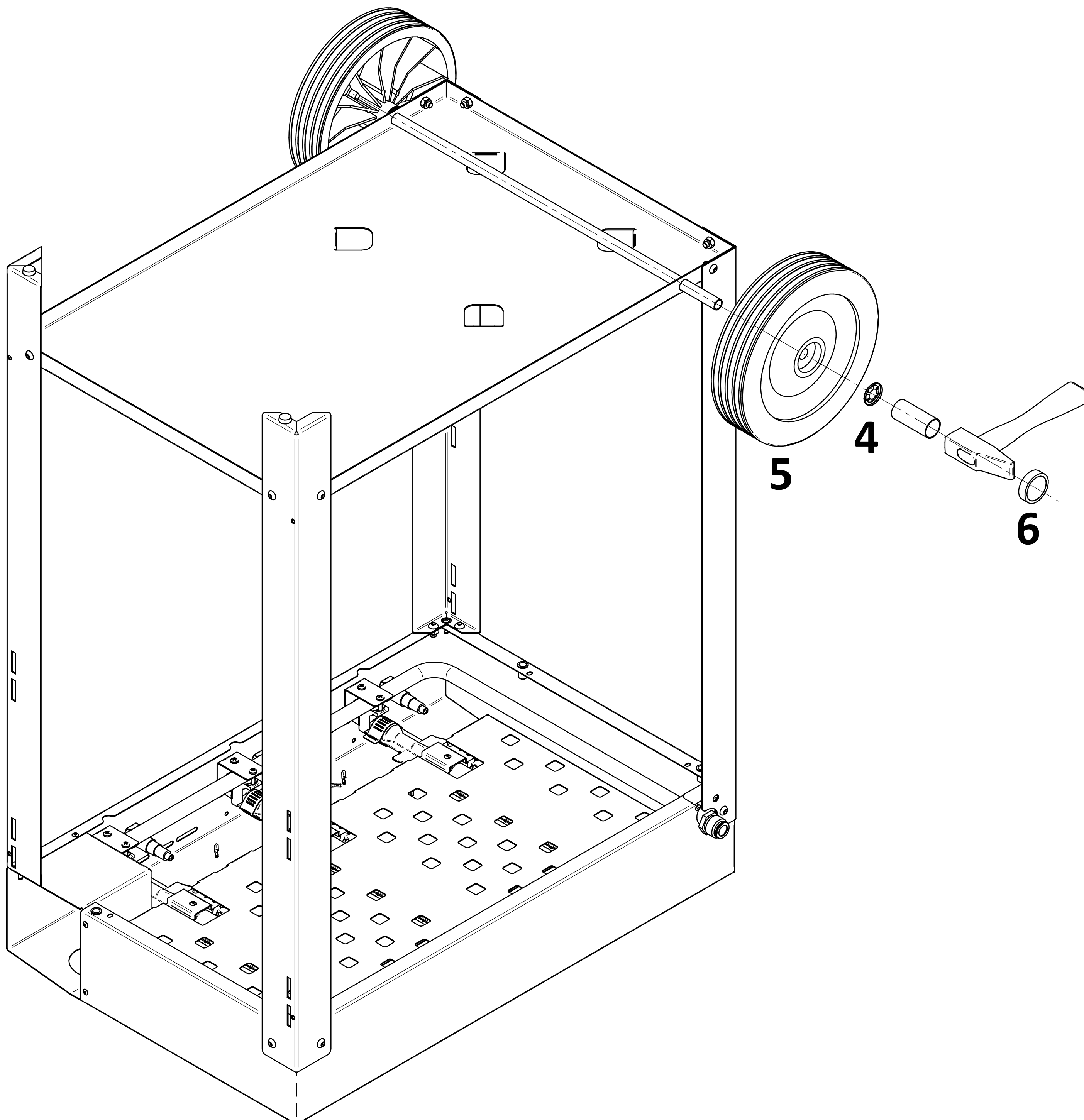


# NOTICE DE MONTAGE

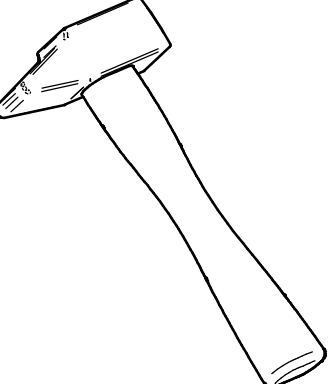
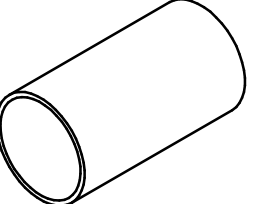

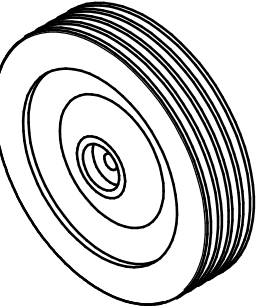



# 7

- T4 
- T2 
- 4  x1
- 5  x1
- 6  x1



# 8

- T4 
- T2 
- 4  x1
- 5  x1
- 6  x1

